

SPECIFICATIONS

**Product Model Numbers
Ironing Centers:
A-42, E-342 Swivel and NE-342 Swivel**

Dimensions (Actual Size)

- Overall height: 47 7/8"
- Overall width: 15"
- Overall depth including door: 7 3/4"
- Dimension from wall to outer edge of door (when recessed): 3 7/8"
- Penetration into opening: 3 7/8"
- Wall opening height: 47 1/8"
- Wall opening width: 14 1/4"
- Wall opening depth: 3 7/8"

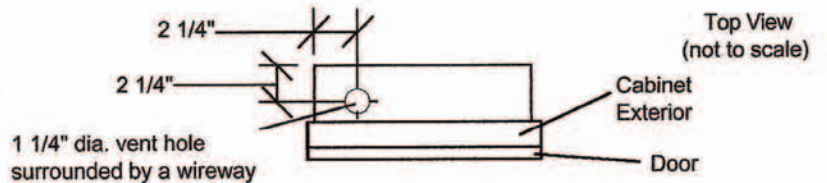
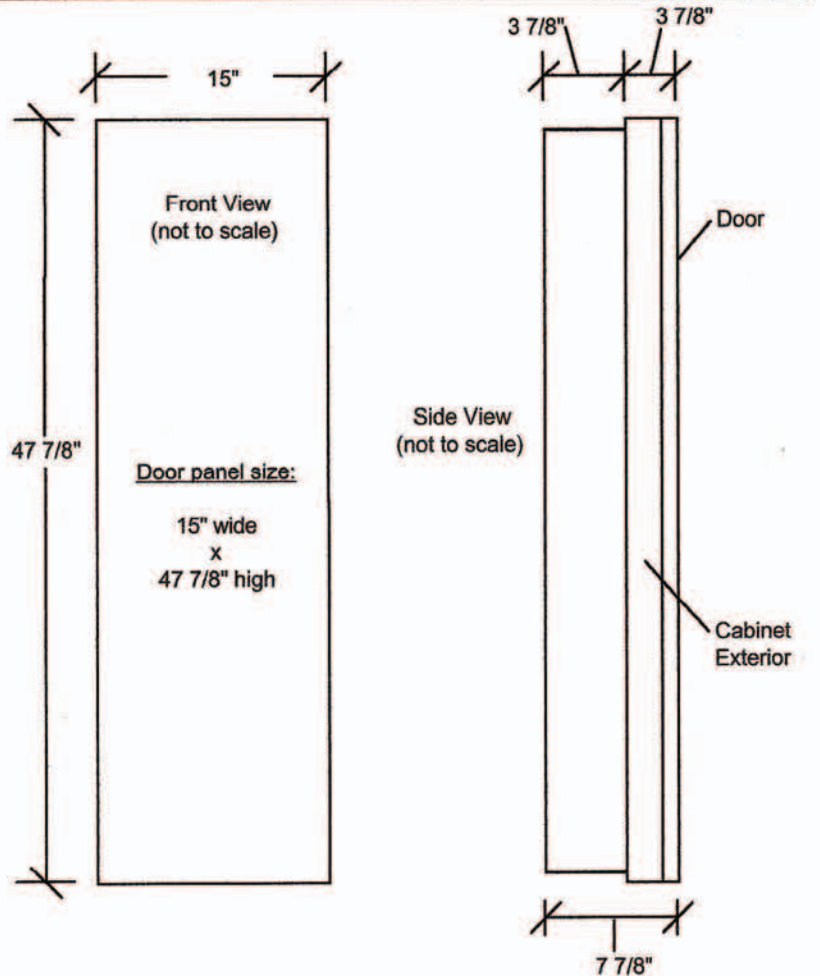
Overlap distances when using wall opening dimensions listed above:

- Top overlap: 3/8"
- Bottom overlap: 3/8"
- Right side overlap: 3/8"
- Left side overlap: 3/8"

Additional Information

- Unit may be surface mounted (unit extends approximately 7 3/4" into room) or recessed (unit extends approximately 3 7/8" into room) into any wall with standard 16 inch center studs.
- See table to the right to determine desired ironing board height above the floor. The user can adjust height of board after installation with a 4" differential between a maximum and minimum height.
- Unit can be provided with a left hinged door upon request. Right hinge is standard.
- Comes standard with birch veneer door.
- Electrical requirements for A-42 and E-342 Swivel: 115/120v, 15amps. Pigtails are provided in bottom of wireway for hookup to supply line. Make entrance into knockout provided in top of wireway through left-hand vent hole.
- Electrical requirements for NE-342 Swivel: The unit does not require electricity, it is non-electric.
- Recommended to attach 2" x 4" cleats to studs, level with the bottom of opening (for support when recessing unit).
- Door opens approximately 180°. Allow at least 16" to the side of the unit for door to swing open (door hinges on full length piano hinge)

See page 2 for additional information



Cut opening above floor:	Height Adjustments	
	(Regular) Low Position	(Adjusted) High Position
26"	33"	37"
25"	32"	36"
24"	31"	35"
23"	30"	34"
22"	29"	33"
21"	28"	32"
20"	27"	31"
19"	26"	30"
18"	25"	29"
17"	24"	28"
16"	23"	27"

Board automatically drops to low position each time the board is lowered for use. High position requires adjustment and engages back to low position everytime the board is put away.

Additional Information:

- A-42 options include: Surface mount trim, oak raised panel door, maple raised panel door, pine raised panel door, white raised panel door, flat white door, plate glass mirrored door, no door at all, hot iron rest, electric cord wrap, garment bar, sleeveboard and a steam iron.
- E-342 Swivel and NE-342 Swivel options include: Surface mount trim, oak raised panel door, maple raised panel door, pine raised panel door, white raised panel door, flat white door, plate glass mirrored door, no door at all, hot iron rest, electric cord wrap, garment bar, sleeveboard, spotlight (E-342 only) and a steam iron.

**Measurements when board is lowered
(not to scale)**

- Door opens approximately 180°. Allow at least 16" to the side of the unit for door to swing open (door hinges on full length piano hinge)
- Unit can be provided with a left hinged door upon request. Right hinge is standard.

